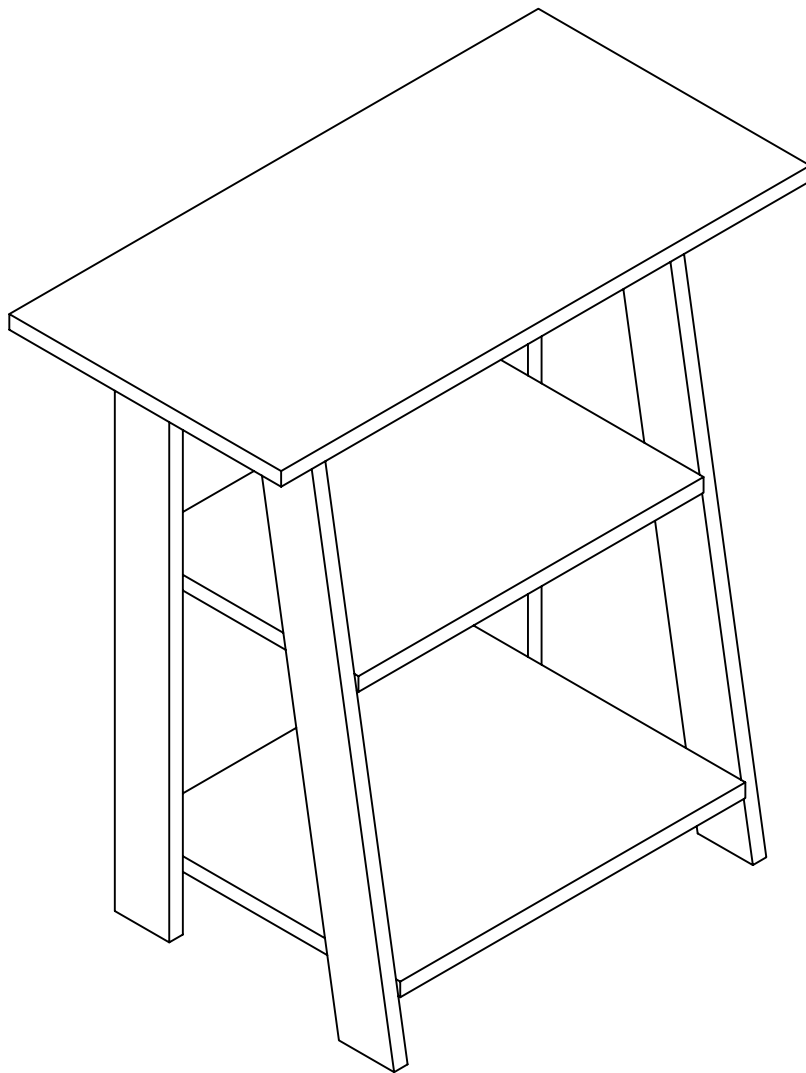


# ASSEMBLY INSTRUCTION

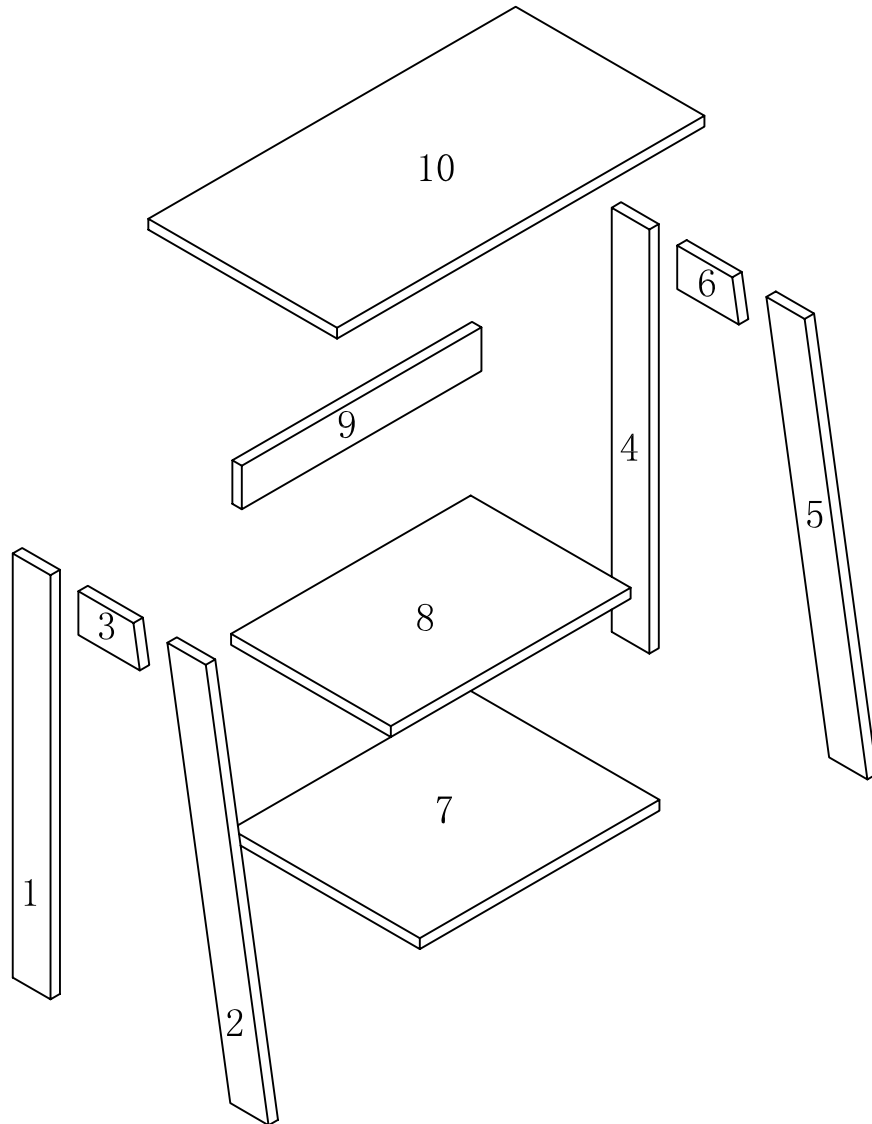
---

ITEM#: 11450



# PARTS IDENTIFICATION

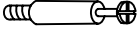


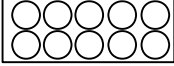
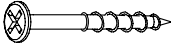
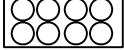

ITEM#: 11450



(1)	1pc		(6)	1pc
(2)	1pc		(7)	1pc
(3)	1pc		(8)	1pc
(4)	1pc		(9)	1pc
(5)	1pc		(10)	1pc

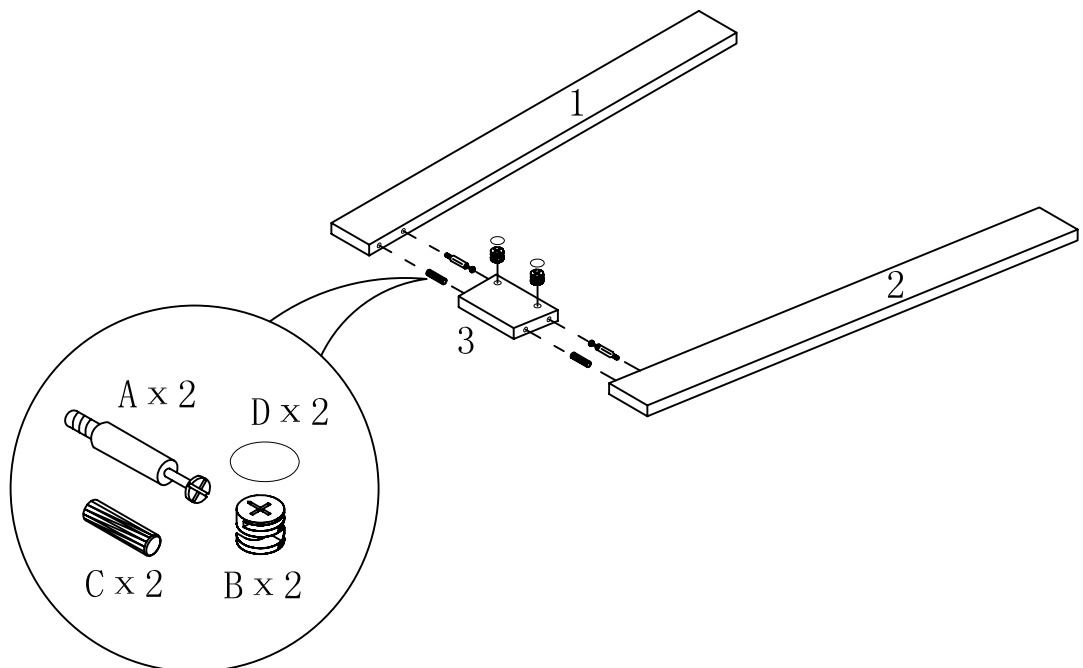
# HARDWARE IDENTIFICATION

ITEM#: 11450

A		L29	12pcs
B		$\phi$ 15	12pcs
C		$\phi$ 8 x 25	19pcs
D		$\phi$ 18	12pcs
E		$\phi$ 4.2 x 50	8pcs
F		$\phi$ 13	8pcs
G		Glue: For securing please apply to wood dowel first before inserting into panel	1pc

# ASSEMBLY INSTRUCTION

ITEM#: 11450

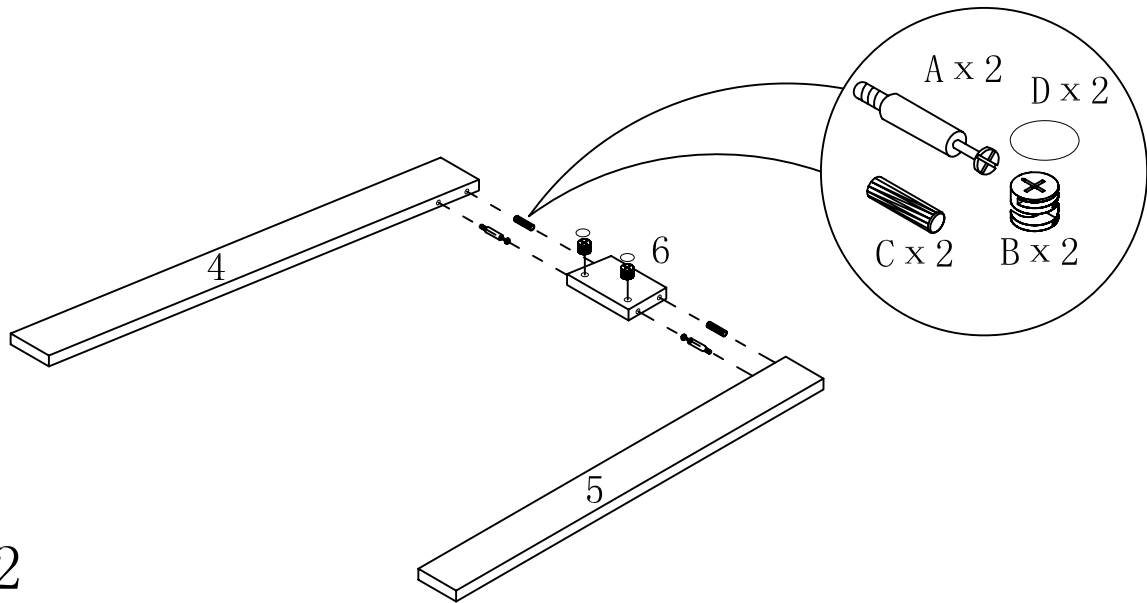


STEP1

PAGE: 3 OF 5

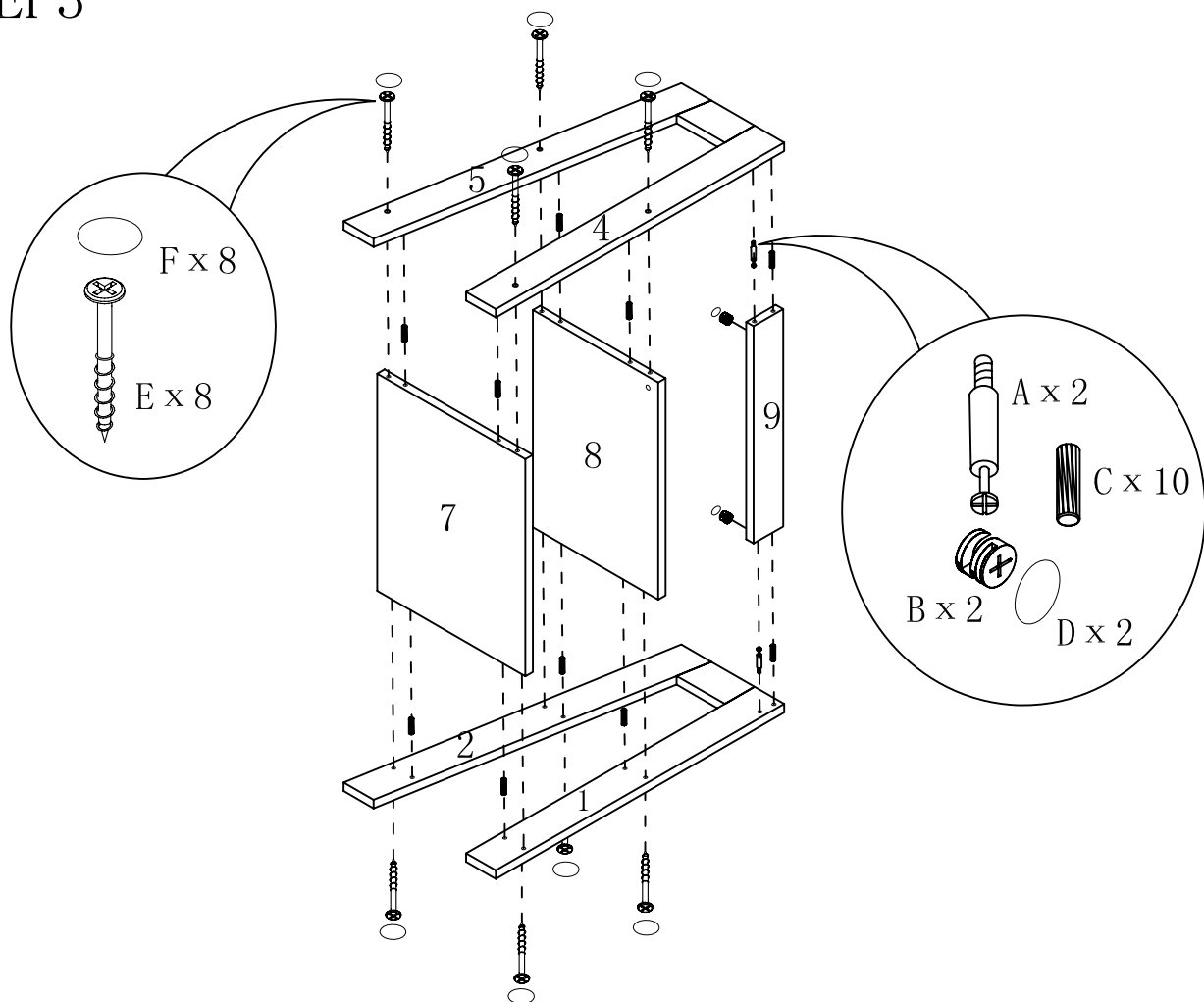
# ASSEMBLY INSTRUCTION

ITEM#: 11450



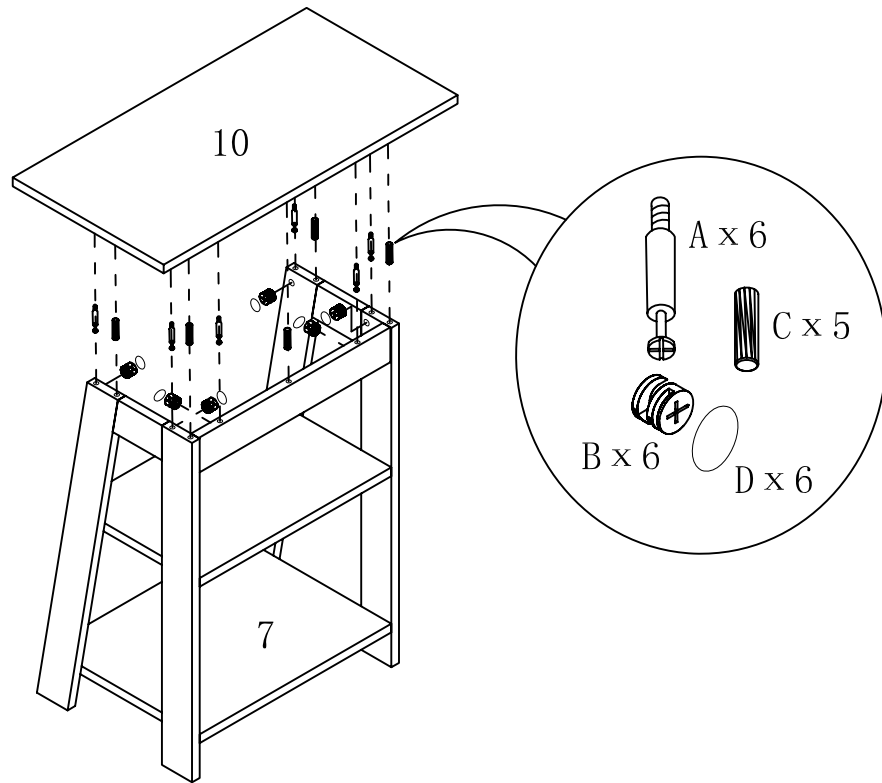
STEP 2

STEP 3



# ASSEMBLY INSTRUCTION

ITEM#: 11450



STEP 4

STEP 5

